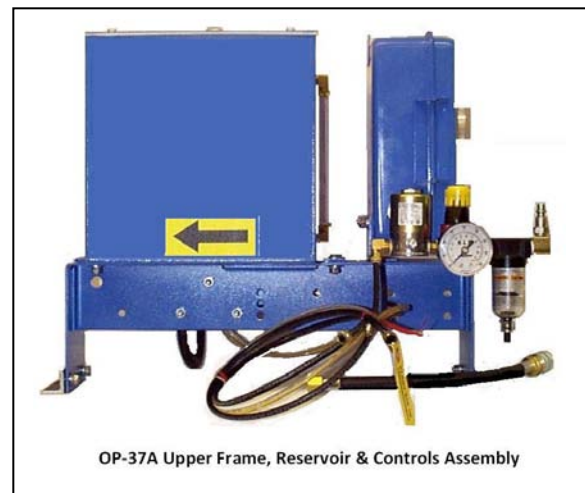


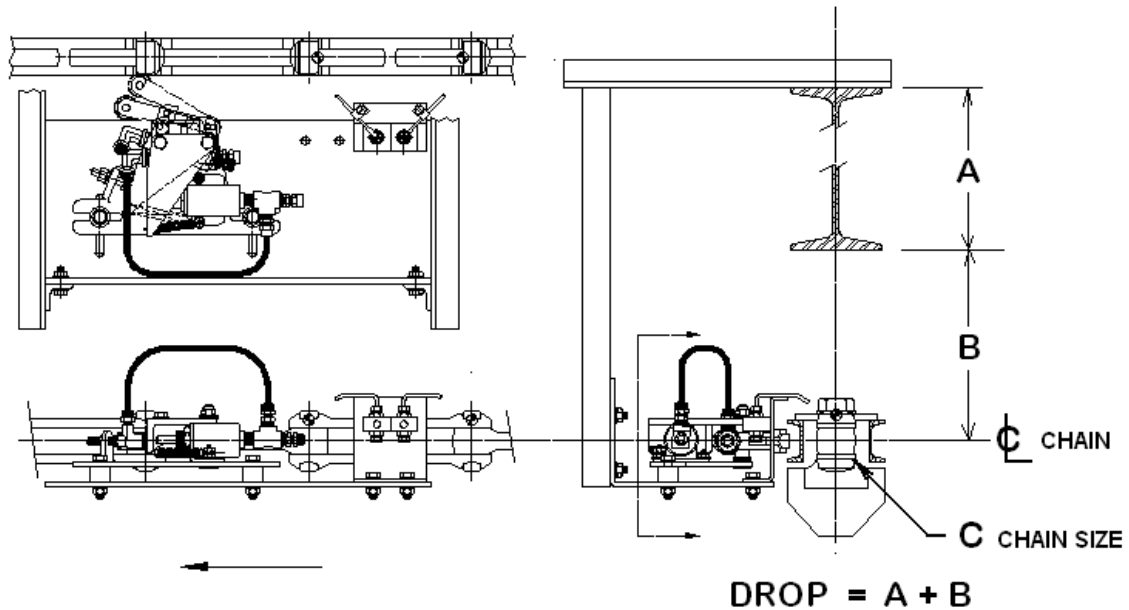
## Model OP-37A

### Drop Finger Conveyor Chain Pin Oiler

- Lubricates chain pins during conveyor operation.
- Positive displacement metering pump provides precise volume control.
- Manual On - Automatic Off, Push Button Reset Timer for Lube Cycle Control is standard. This control facilitates initiation of lube cycles after wash-downs are completed (other control options available).
- 5-gallon capacity reservoir.
- Unique chain trip valve is engaged only during a lubrication cycle.
- Compatible with Lubricants ISO Viscosity Grade 22 to 220



## OP-37A Lower Frame Arrangement and Required Dimensions



WearMaster® Lubricants are available for application on Drop Finger Conveyors; please contact OPCO Lubrication Systems to discuss your application requirements.